

# BOSCA<sup>®</sup>

## FREESTANDING WOOD STOVES

### *Aresta, Limit & Firepoint*



### INSTALLATION, SERVICING AND USER INSTRUCTIONS

Models: BC-LIM350S/BC-LIM350/BC-LIM380/  
BC-ARESTA360/BC-FIREPT360/BC-FIREPT400



This product is for use only in Great Britain and Ireland (GB, IE).

These instructions are to be left with the customer, should be read carefully and kept in a safe place.

They will be necessary when servicing the appliance.

### IMPORTANT

This appliance will become hot whilst in operation, it is therefore recommended that a suitable guard should be used for the protection of young children, the elderly or infirm. Do not attempt to burn rubbish in this appliance.

Please read these Instructions carefully before installation or use.

Keep them in a safe place for future reference and when servicing the fire.

The commissioning sheet found on page 4 of these instructions should be completed by the Installer.

# Contents

---

## INSTALLATION INSTRUCTIONS

Welcome to Bosca	3
Appliance Commissioning Sheet	4
Technical Specifications	4
Site Requirements	6
Pre-installation Checks	10
Installation Instructions	12
Commissioning	16

## OPERATING INSTRUCTIONS

Features	17
General	17
Using the appliance for the first time	18
Recommended Fuels	18
Running the appliance	18
Refuelling	19
Burning Wood	20
Ash Removal	21
Over Firing	21
Chimney Fire	21
General Cleaning	21
Cleaning Glass	22
Chimney Sweeping	22
Care of Stove	22
Seasonal Use	22
Troubleshooting	23

## Maintenance & Servicing

Annual Service	24
Basic Spare Parts	25
Service Records	27

## WARRANTY

All Bosca stoves in this brochure are CE marked and approved. This means they have been independently tested to exacting European standards for both heating efficiency and emissions. All Bosca stoves are covered by our 2 year warranty.\*

\*Product warranties are dependant on your Bosca stoves being installed and serviced annually by a HETAS qualified engineer. The product warranty does not cover naturally wearing parts such as grate, log retainers bricks and glass. Full details of the warranty are available to download on our website, [www.boscastoves.co.uk](http://www.boscastoves.co.uk)

# BOSCA®

## *Welcome to Bosca*

---

Your new Bosca Wood Burning appliance is perhaps the most advanced design of modern stoves. Owning such a appliance shows appreciation for exceptional quality.

Please read your manual thoroughly, it's purpose is to familiarise you with your stove, and give guidelines for it's installation, operation and maintenance. If after reading this manual you need further information, please do not hesitate to contact your Bosca Retailer.

### **IMPORTANT NOTICE**

If your appliance is installed correctly, it will give you many years of excellent service for which it was designed. This appliance must be installed by a HETAS registered installer (GB only).

### **WARNING**

All types of heating appliance can be potentially dangerous. Correct installation and operating procedures must be observed when fitting this stove. Some parts of your appliance are protected on their surface with heat proof paint. When the appliance is first used it is normal for it to emit some light smoke, with an unpleasant smell. Though unpleasant, this is nontoxic and is produced only whilst the paint fully cures. We recommend that you ventilate the room until this disappears.

# APPLIANCE COMMISSIONING CHECKLIST

To assist us in any guarantee claim please complete the following information.  
In the unlikely event of a problem, contact your installer or Retailer for assistance:

## Retailer appliance was purchased from

Name: .....

Address: .....

.....

Telephone number: .....

## Essential Information - MUST be completed

Date installed: .....

Model description: .....

Serial number: .....

## Installation Engineer

Company name: .....

Address: .....

.....

Telephone number: .....

## Commissioning Checks (to be completed and signed)

Is flue system correct for the appliance      YES       NO

Flue swept and soundness test complete      YES       NO

Smoke test completed on installed appliance      YES       NO

Spillage test completed      YES       NO

Use of appliance and operation of controls explained      YES       NO

Instruction book handed to customer      YES       NO

Clearance to combustible materials checked      YES       NO

Signature: .....      Print name: .....

# TECHNICAL SPECIFICATIONS

Model		Limit 350 (Short)	Limit 350	Limit 380	Aresta 360	Firepoint 360	Firepoint 400
Limit 350 (Short) - BC-LIM350S Limit 350 (Standard) - BC-LIM350 Limit 380 (Standard) - BC-LIM380 Firepoint 360 - BC-FIREPT360 Firepoint 400 - BC-FIREPT400 Aresta 360 - BC-ARESTA360							
Nominal Heat Output	kW	3.5	3.5	7	8	8	10
Efficiency (maximum output)		66%	66%	75%	81%	81%	76%
Flue Draught At Nominal Heat Output	mm Wg	1.25	1.25	1.25	1.25	1.25	1.25
	inch Wg	0.05	0.05	0.05	0.05	0.05	0.05
Flue Gas Mass Flow	g/s	4.9	4.9	7.8	6.6	6.6	8.4
Flue Gas Temperature	°C	372	372	484	304	304	330
Flue Outlet Size	mm	150	150	150	150	150	150
	inch	6	6	6	6	6	6
Flue Position		Top Only	Top Only	Top Only	Top Only	Top Only	Top Only
Weight	kg	65	68	98	80	80	106
Recommended Fuels	Wood	Seasoned Wood (less than 20% moisture content).					

## Clearance to combustible material (mm)

Back Wall	300	300	300	250	250	350
Side Wall	300	300	300	250	250	350

# SITE REQUIREMENTS

Before installation of this product please read these instructions fully.

It is very important to also understand the requirements of the UK Building Regulations (England and Wales Document J / Scotland - Part F), along with any local regulations and working practices that may apply. Should any conflict occur between these instructions and the regulations then the regulations shall apply.

All electrical connections should meet the requirements of UK Building Regulations (England and Wales Document P / Scotland - Part N).

Your local Building Control Office would be happy to advise, should questions arise regarding the requirements of the regulations.

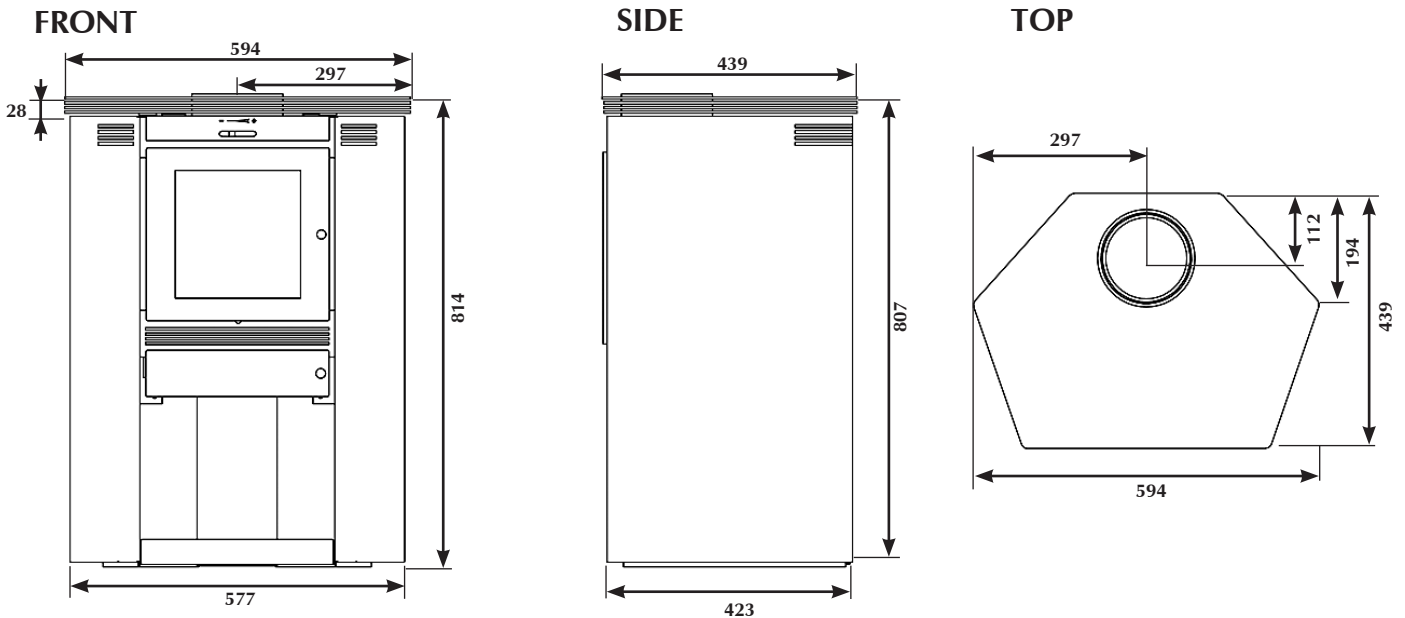
The Bosca Appliance should be fitted by a HETAS (GB only) registered installer, or approved by your local building control officer. Your Bosca Retailer should be able to arrange this service for you.

Your building insurance company may also require you to inform them that you have installed a new heating appliance, so check with your insurers that your cover is still valid after installing the Bosca appliance.

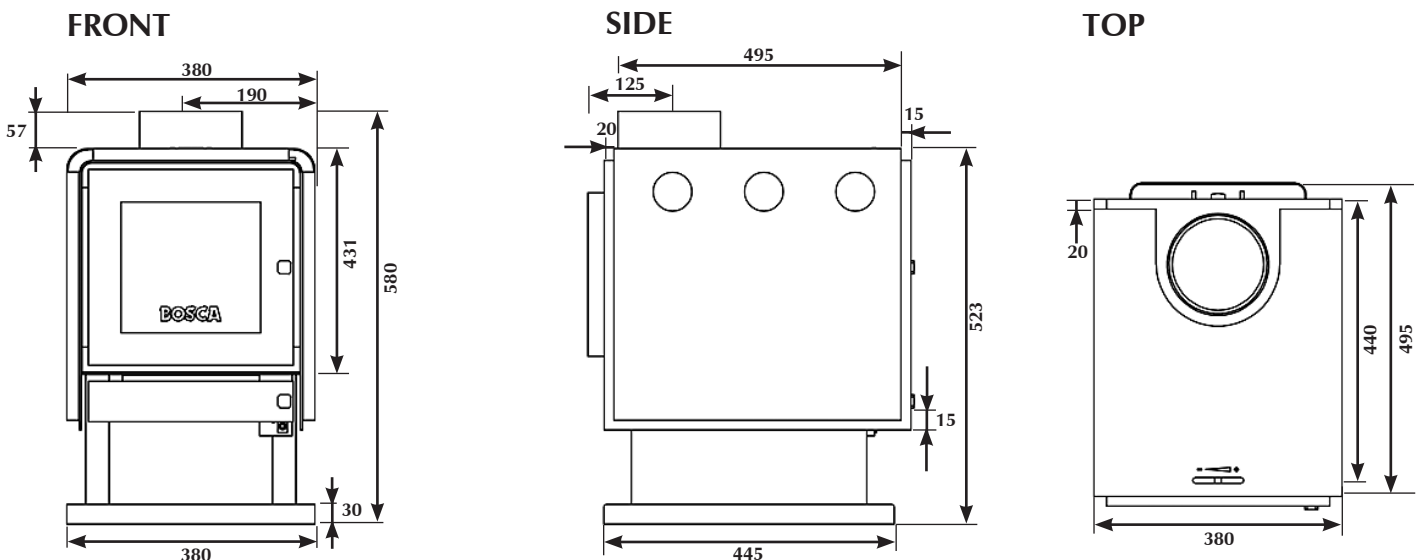
When completing the installation and building works you should comply with your responsibilities under the Health and Safety at Work Acts, and any new regulations, which may be introduced during the lifetime of these instructions.

**A faulty installation could cause danger to the inhabitants and structure of the building.**

## ARESTA 360 DIMENSIONS



## LIMIT 350 SHORT DIMENSIONS

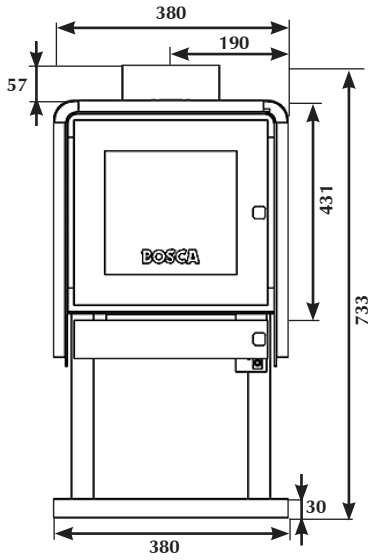


All dimensions in mm. (25.4 mm = 1")

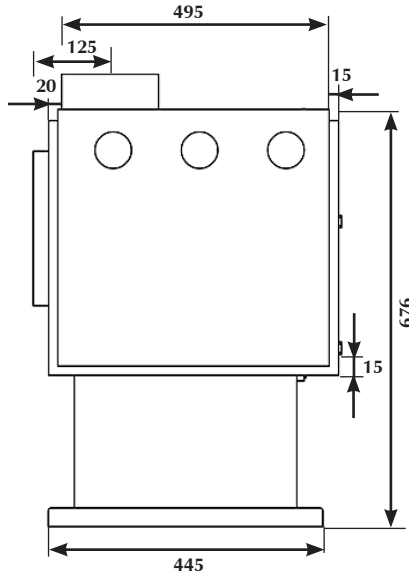
# SITE REQUIREMENTS

## LIMIT 350 DIMENSIONS

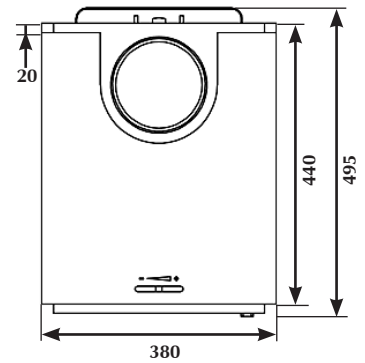
FRONT



SIDE

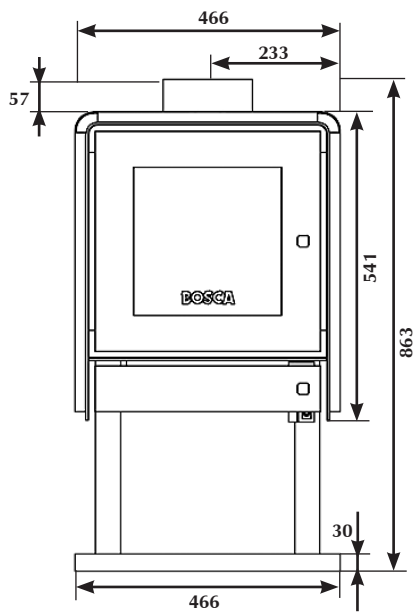


TOP

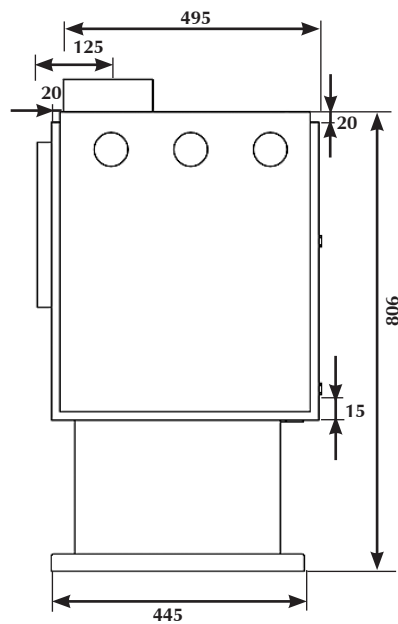


## LIMIT 380 DIMENSIONS

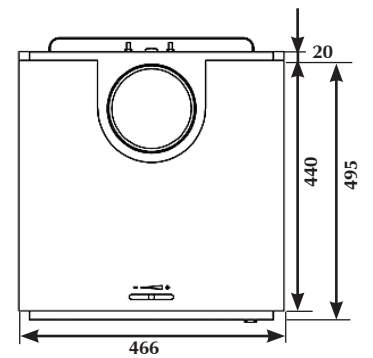
FRONT



SIDE



TOP

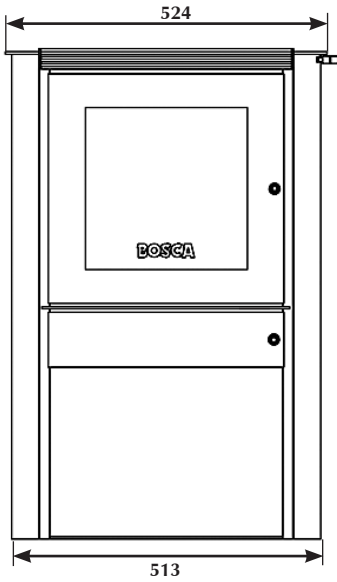


All dimensions in mm. (25.4 mm = 1")

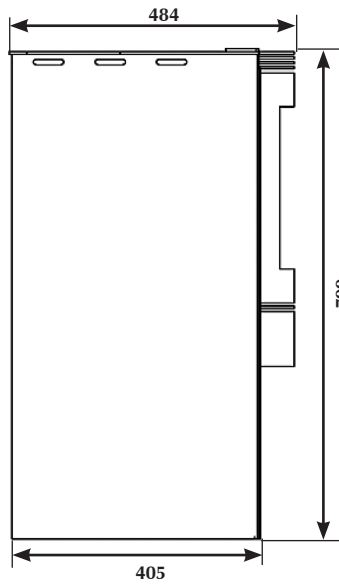
# SITE REQUIREMENTS

## FIREPOINT 360 DIMENSIONS

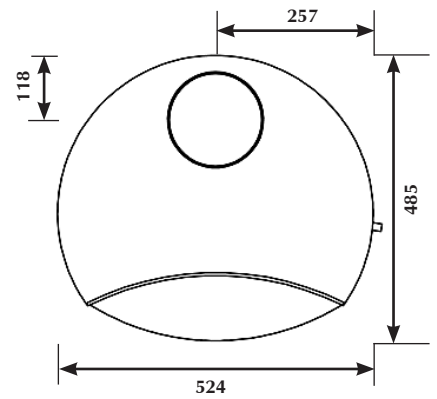
FRONT



SIDE

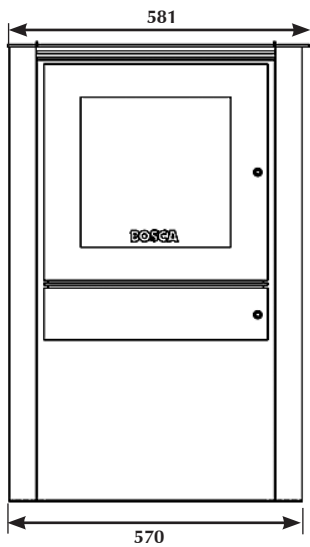


TOP

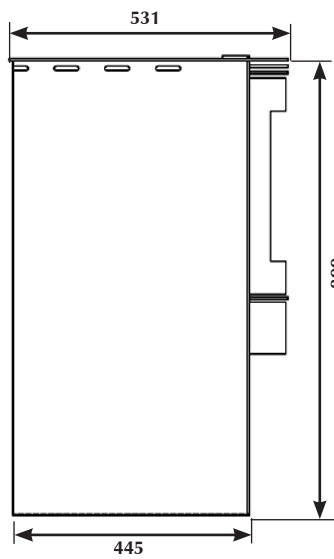


## FIREPOINT 400 DIMENSIONS

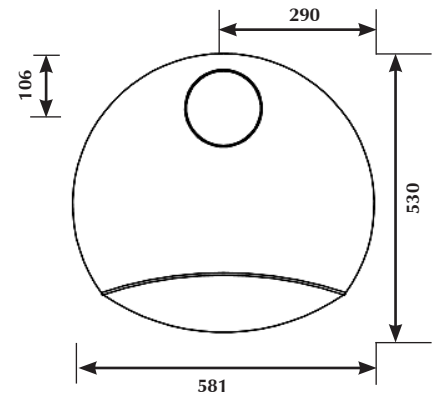
FRONT



SIDE



TOP



All dimensions in mm. (25.4 mm = 1")

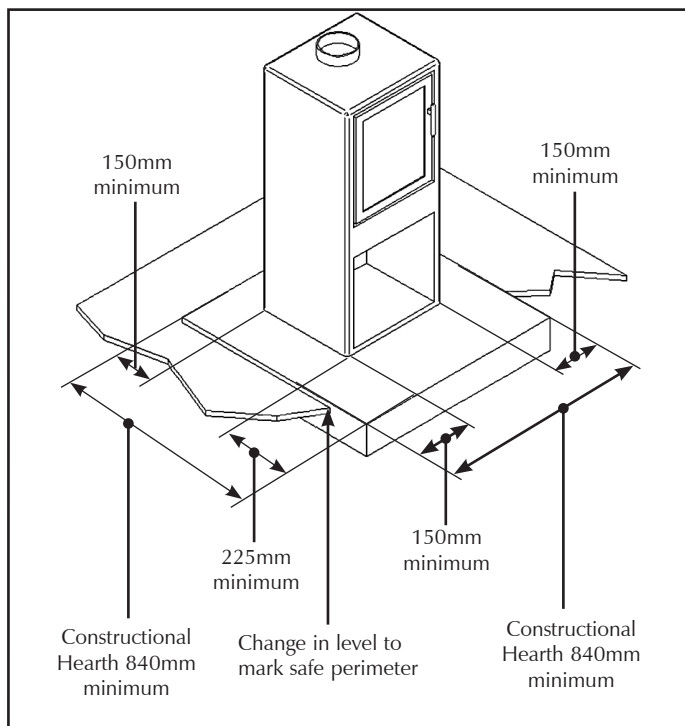


# SITE REQUIREMENTS

Additional information covering the installation of the Bosca appliance may be found in the British Standard: BS8303.

## HEARTH DIMENSIONS

The appliance must stand on a non-combustible constructional hearth which is at least 125mm thick with the minimum dimensions as shown in diagram.

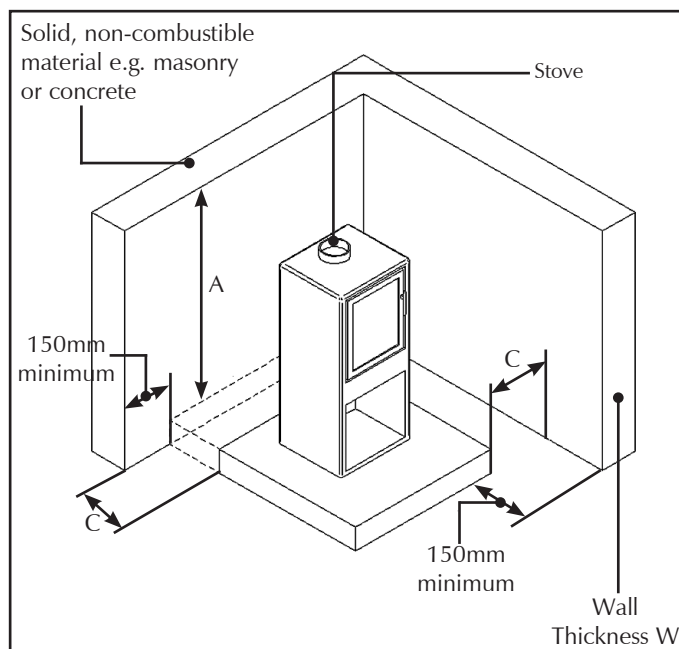


The building must have a suitable load-bearing capacity for the hearth and appliance. **Consult a structural engineer for advice before proceeding.**

When fitting into an existing hearth check that the hearth complies with current construction regulations and is at least the minimum sizes shown.

If there is no existing fireplace or chimney it is possible to construct a suitable non-combustible housing and hearth setting. The flue must be installed in accordance with all local and national regulations and current rules in force.

Check if adding a new chimney to your property requires planning permission.



Location of hearth or Bosca stove	Solid, non combustible material	
	Thickness (W)	Height (A)
Where the hearth touches a wall and the appliance is not more than 50mm from the wall	200mm	At least 300mm above the appliance and 1200mm above the hearth
Where the hearth touches a wall and the appliance is more than 50mm but not more than 300mm from the wall	75mm	At least 300mm above the appliance and 1200mm above the hearth
Where the hearth does not touch a wall and is no more than 150mm from the wall	75mm	At least 1200mm above the hearth

**Note: There is no requirement for the protection of the wall where C is more than 150mm**

# PRE-INSTALLATION CHECKS

It is important that adequate ventilation exists and the flue or chimney system that is to be used is in good working condition. Products of combustion that enter the room could be a serious health risk. Before installation of this product we recommend that the flue or chimney system and ventilation requirements are inspected by a competent person, and passed as suitable for use with the appliance to be fitted. In particular the following should be checked:

Model			Limit 350 (Short)	Limit 350	Limit 380	Aresta 360	Firepoint 360	Firepoint 400
Limit 350 (Short) - BC-LIM350S								
Limit 350 (Standard) - BC-LIM350								
Limit 380 (Standard) - BC-LIM380								
Firepoint 360 - BC-FIREPT360								
Firepoint 400 - BC-FIREPT400								
Aresta 360 - BC-ARESTA360								
Flue/Chimney Size	Without liner system Round (diameter)	mm	150	150	150	150	150	150
		inch	6	6	6	6	6	6
	Without liner system Square (minimum dimension)	mm	135	135	135	135	135	135
		inch	5.5	5.5	5.5	5.5	5.5	5.5
	With liner or factory made system (diameter). <small>Installed in accordance with manufacturer's instructions</small>	mm	150	150	150	150	150	150
		inch	6	6	6	6	6	6
Flue/Chimney minimum height	m	4	4	4	4	4	4	
	feet	13	13	13	13	13	13	
* When measured from the top of the appliance to the top of the flue, with no horizontal sections and a maximum for four bends with an angle of less than 45°								

## 1. FLUE OR CHIMNEY

- 1.1 The construction of the flue or chimney system should meet the requirements of the Building Regulations with sizes as shown:
- 1.2 An approved, factory made system suitable for solid fuel use, complying with BS 4543: Part 2, may be used when installed to the requirements of BS 7566: Parts 1 to 4, the manufacturer's instructions and the requirements of Building Regulations.
- 1.3 New masonry chimney systems built with clay or concrete liners or pre-fabricated block systems should be constructed in accordance with BS 6461 : Part 1, and the requirements of Building Regulations.
- 1.4 A flexible flue liner system may be used, if it is independently certified for use with solid fuel systems, and is installed according to the manufacturer's instructions and the requirements of Building Regulations. If an appliance is being replaced on an existing flexible flue liner system, the liner system should be replaced, unless it can be proved to be recently installed and can be seen to be in good condition.
- 1.5 The flue exit from the building should be positioned to comply with the requirements of the Building Regulations.
- 1.6 Any existing flue should be confirmed as suitable for the new intended use, as defined in the Building Regulations.

- 1.7 Any existing flue or chimney system must be inspected and swept by a NACS registered (GB only) chimney sweep, to confirm that the system is structurally sound and free from any obstructions.
- 1.8 Suitable access should be provided to enable the collection and removal of debris.
- 1.9 Provision should be made to sweep and inspect the flue when the appliance is installed.
- 1.10 No other heating appliances should be connected to, or share, the same flue or chimney system.
- 1.11 Check the flue draught. This should be done with all windows and doors closed and any extraction fans in this or adjoining rooms running at maximum speed (see next section for additional ventilation requirements).

Note: A guide containing general information on chimneys and flues is obtainable from:

**The British Flue & Chimney Manufacturers' Association, FETA**

2 Waltham Court, Milley Lane  
Hare Hatch, Reading  
Berks RG10 9TH  
Tel : - 01189 403416  
e-mail :- bfcma@feta.co.uk

# PRE-INSTALLATION CHECKS

- 1.12 Where a hearth, fireplace, flue or chimney is provided or extended (including cases where a flue is provided as part of refurbishment work), information essential to the correct appliance and use of these should be permanently posted in the building, to meet Requirement J4 of the Building Regulations (England and Wales), F3.12 (Scotland).

## 2. ADDITIONAL VENTILATION

- 2.1 Additional ventilation will be required to comply with the requirements of the Building Regulations. This should be provided using a permanently open air vent, of the size listed, which is positioned so that it is not liable to be blocked both inside and outside the building.
- 2.2 Extractor fans or cooker hoods should not be placed in the same room or space as the appliance.

Model		Limit 350 (Short)	Limit 350	Limit 380	Aresta 360	Firepoint 360	Firepoint 400
Limit 350 (Short) - BC-LIM350S							
Limit 350 (Standard) - BC-LIM350							
Limit 380 (Standard) - BC-LIM380							
Firepoint 360 - BC-FIREPT360							
Firepoint 400 - BC-FIREPT400							
Aresta 360 - BC-ARESTA360							
Additional Ventilation	mm	0	0	1100	1650	1650	2750
	cm	0	0	11.0	16.5	16.5	27.5
	sq. inch	0	0	1.70	2.56	2.56	4.26

- 2.3 If any of these checks reveal problems, do not proceed with the fitting of the appliance until they have been rectified.

# INSTALLATION INSTRUCTIONS

## LEGAL REQUIREMENTS

Before installation and/or use of this appliance please read these instructions carefully to ensure that all requirements are fully understood.

The appliance must be fitted by a registered installer, or approved by your local building control officer.

It is very important to understand the requirements of the national Building Regulations and standards, along with any local regulations and working practices that may apply. Should any conflict occur between these instructions and these regulations then the regulations must apply.

Your local Building Control Office can advise regarding the requirements of the regulations.

The appliance must be fitted by a registered installer or approved by your local building control officer.

Works must be carried out with care to meet the requirements of Health and Safety and comply with the Health and Safety rules, and any new regulations introduced during the lifetime of these instructions. Particular attention should be drawn to:

—**Handling:** The appliance is heavy. Adequate facilities must be available for loading, unloading and on site handling.

—**Fire Cement:** Some fire cement is caustic and must not come into contact with the skin. Protective gloves must be worn. Wash hands thoroughly with plenty of water after contact with skin.

—**Asbestos:** This appliance contains no asbestos. If there is the possibility of disturbing any asbestos in the course of installation seek specialist guidance and use appropriate equipment.

—**Metal Parts:** Take care when installing or servicing the appliance to avoid personal injury.

**A faulty installation can cause danger to the inhabitants and structure of the building.**

### For users of this appliance:

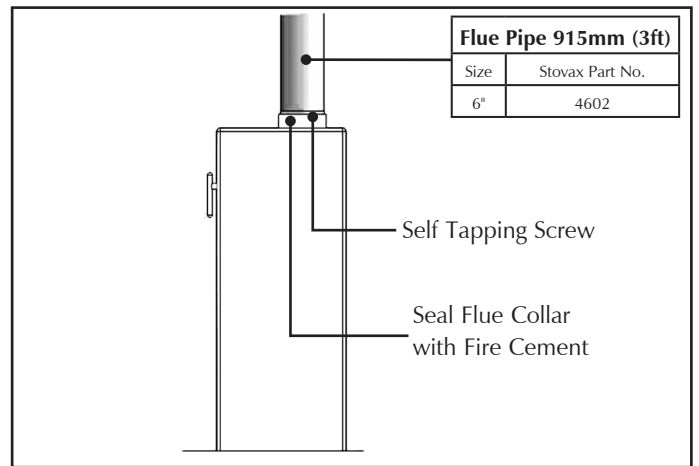
Your building insurance company may require you to inform them that a new heating appliance has been installed on your property. Check that your cover is still valid after installing the appliance

Because each installation is unique to the property, it is not possible to give full details to suit every setting. However the installation should comply with the requirements of the Building Regulations and be made using 'best practice' construction methods.

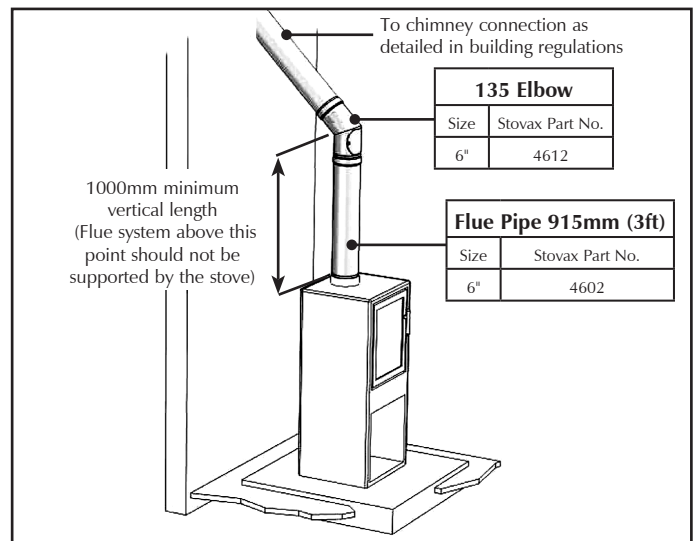
Remember that many fireplace openings will have a supporting lintel. Do not remove this without making provision to support the remaining structure of the building. **The appliance must not form any part of the supporting structure.**

## 1. INSTALLING THE APPLIANCE

- 1.1 Remove all packing and temporary transportation fixings from the stove, check that no parts have been left in the ashpans.
- 1.2 Lift the appliance into position on the prepared hearth area, taking care not to damage the hearth finish.
- 1.3 To connect 6" (150mm) flue pipe (Stovax part 4602) to the appliance in accordance with Building Regulations (Document J).
- 1.4 Seal the connecting joints with fire cement.
- 1.5 Top flue pipe installation



- 1.6 Connect a flue pipe by inserting it into the flue spigot and sealing using fire cement.
- 1.7 Typical top flue installation. Flue to be installed in accordance with manufacture's instructions.

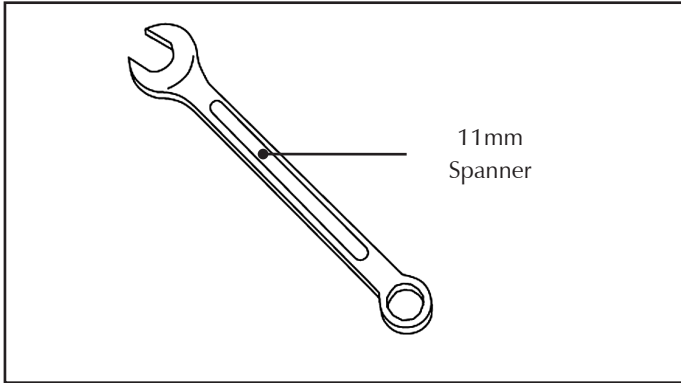


# INSTALLATION INSTRUCTIONS

## 2. REMOVAL & FITTING OF THE BAFFLE

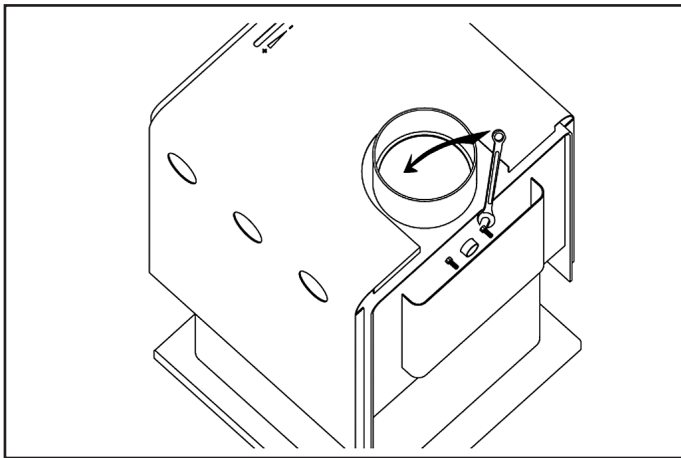
### ALL MODELS

- 2.1 The only tool required to remove the Baffle of any of the models featured is an 11mm Spanner.

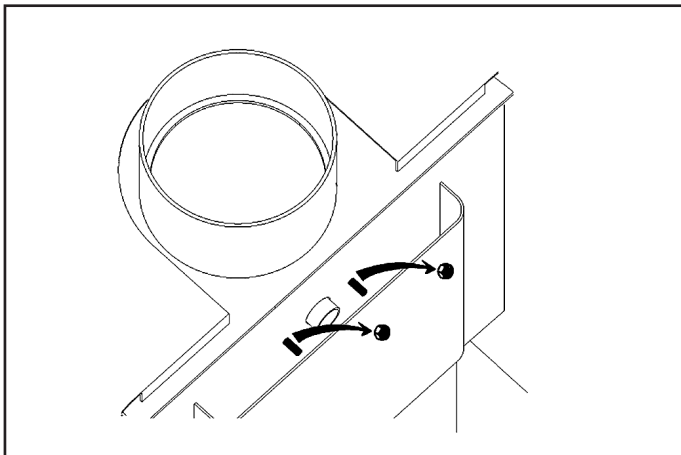


### LIMIT 350 & 380

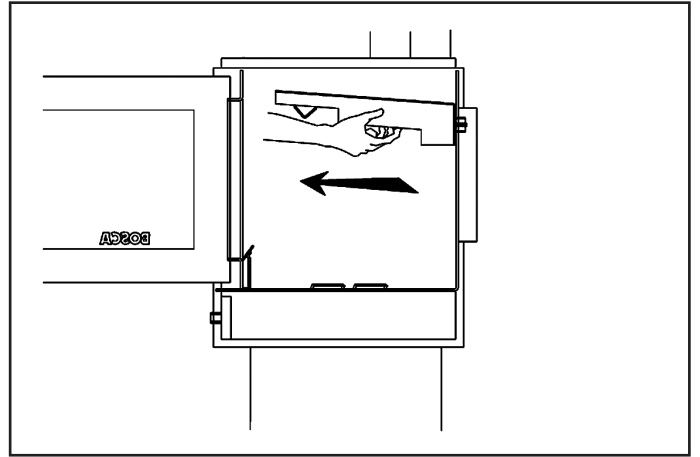
- 2.2 Remove the screws on the rear of the appliance with a spanner.



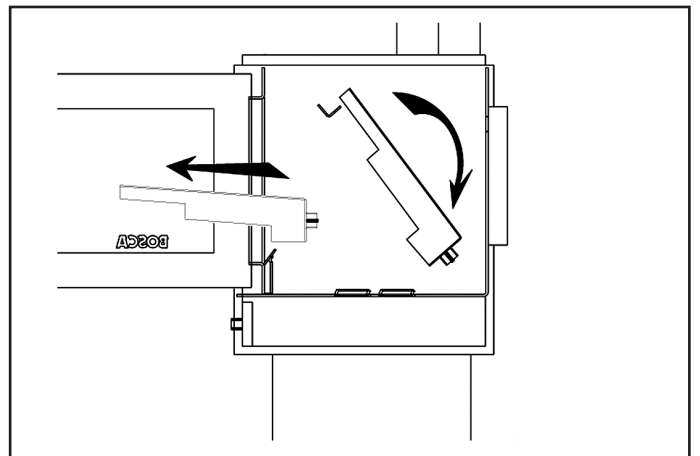
- 2.3 Remove the screws completely and place safely to one side.



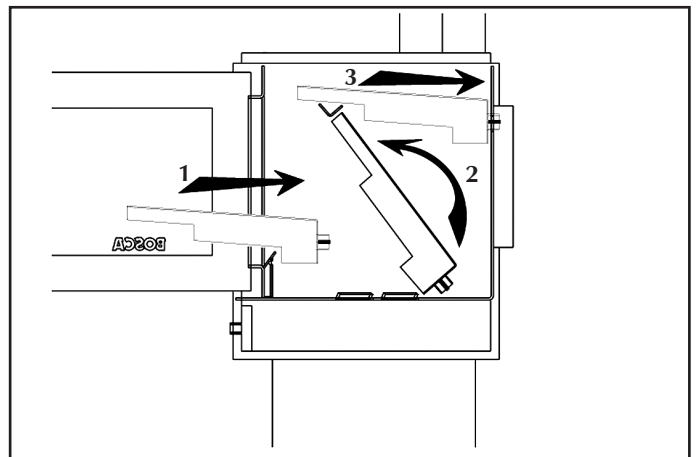
- 2.4 Lift the baffle out by holding with both hands and sliding forward to remove it from the bolts at the rear of the appliance.



- 2.5 The baffle may have to be angled to clear obstructions inside the appliance. Straighten and remove through the front.



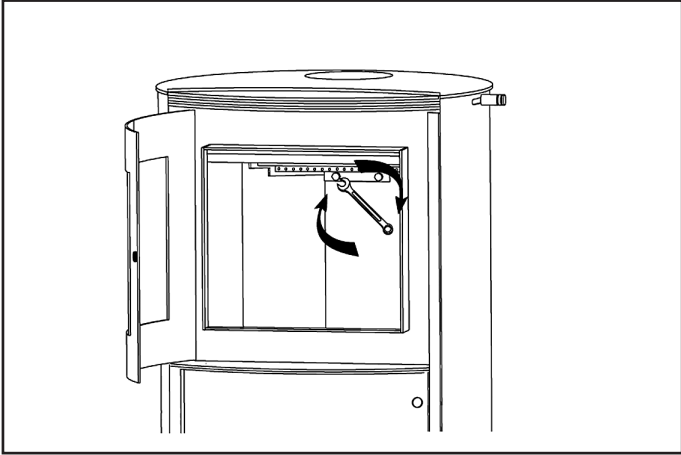
- 2.6 Fitting of the baffle is the reverse of the above process.



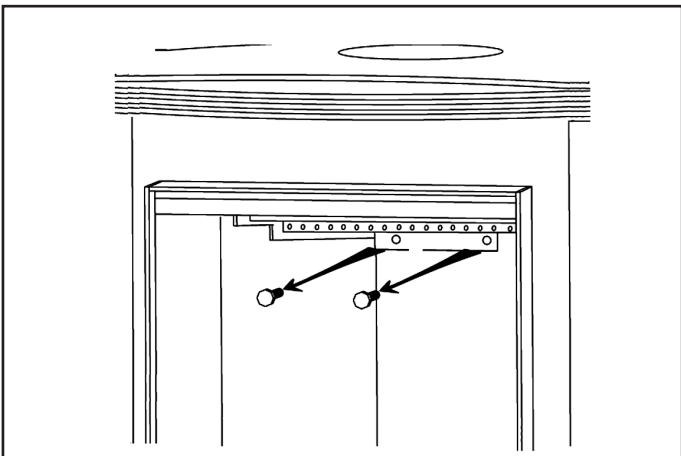
# INSTALLATION INSTRUCTIONS

## FIREPOINT 360 & 400

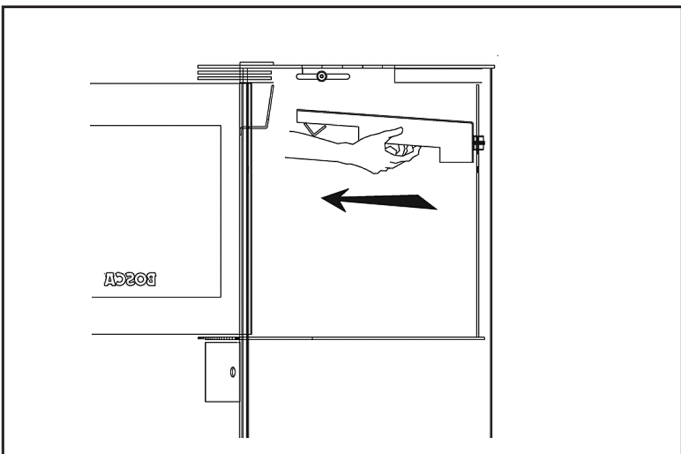
2.7 Undo the screws inside the appliance firebox.



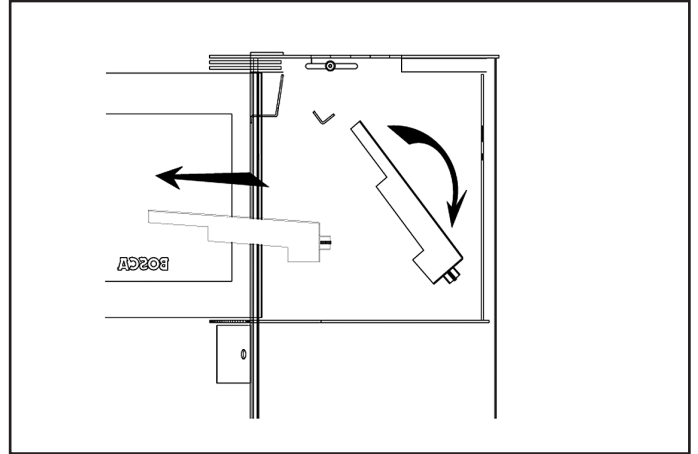
2.8 Remove the screws completely and place safely to one side.



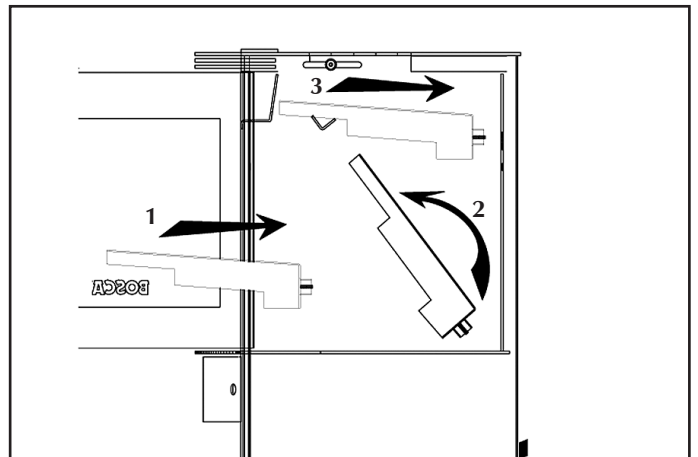
2.9 Lift the baffle out by holding with both hands and sliding forward to remove it from the bolts at the rear of the appliance.



2.10 The baffle may have to be angled to clear obstructions inside the appliance. Straighten and remove through the front.

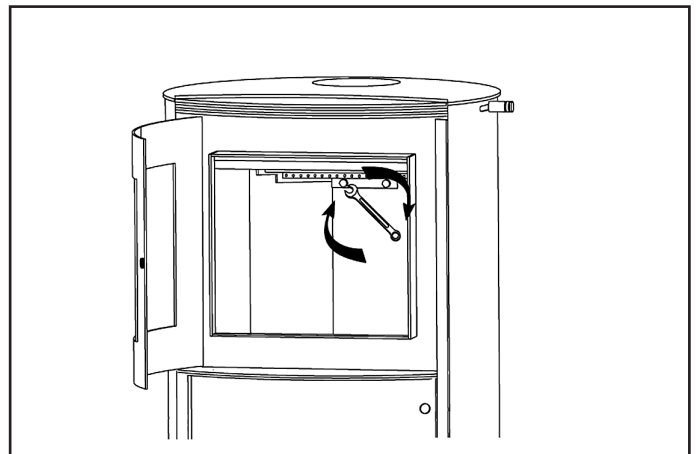


2.11 Fitting of the baffle is the reverse of the above process.



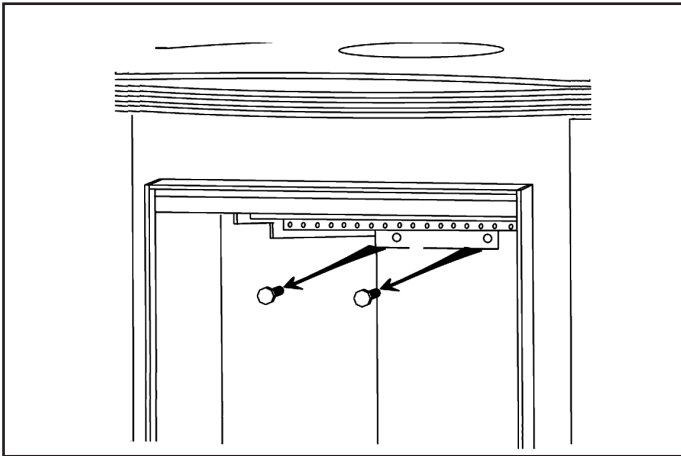
## ARESTA 360

2.12 Undo the screws inside the appliance firebox.

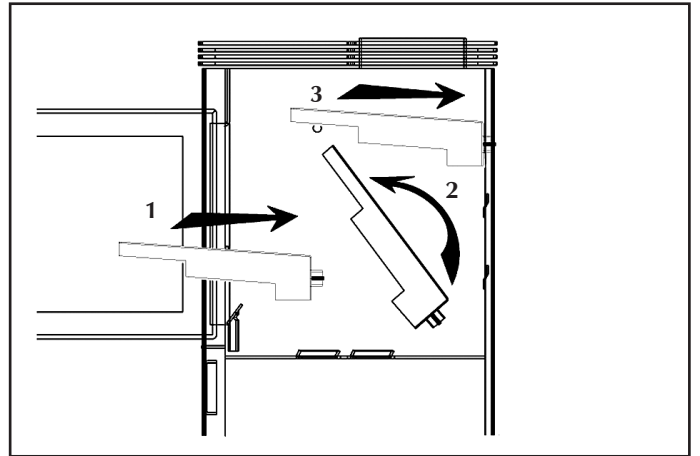


# INSTALLATION INSTRUCTIONS

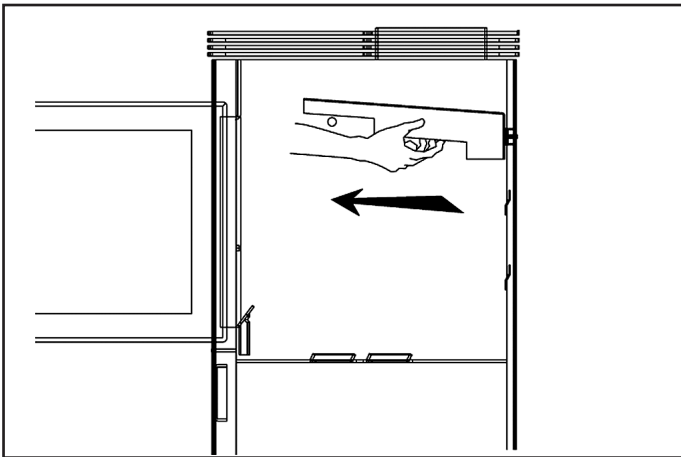
2.13 Remove the screws completely and place safely to one side.



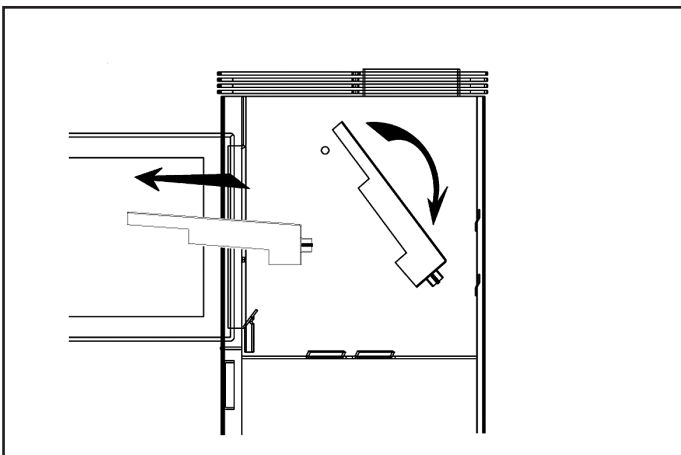
2.16 Fitting of the baffle is the reverse of the above process.



2.14 Lift the baffle out of the front of the appliance by holding with both hands and sliding forward to remove it from the bolts at the rear of the appliance.



2.15 The baffle may have to be angled to clear obstructions inside the appliance. Straighten and remove through the front.



# INSTALLATION INSTRUCTIONS

## 3. COMMISSIONING

---

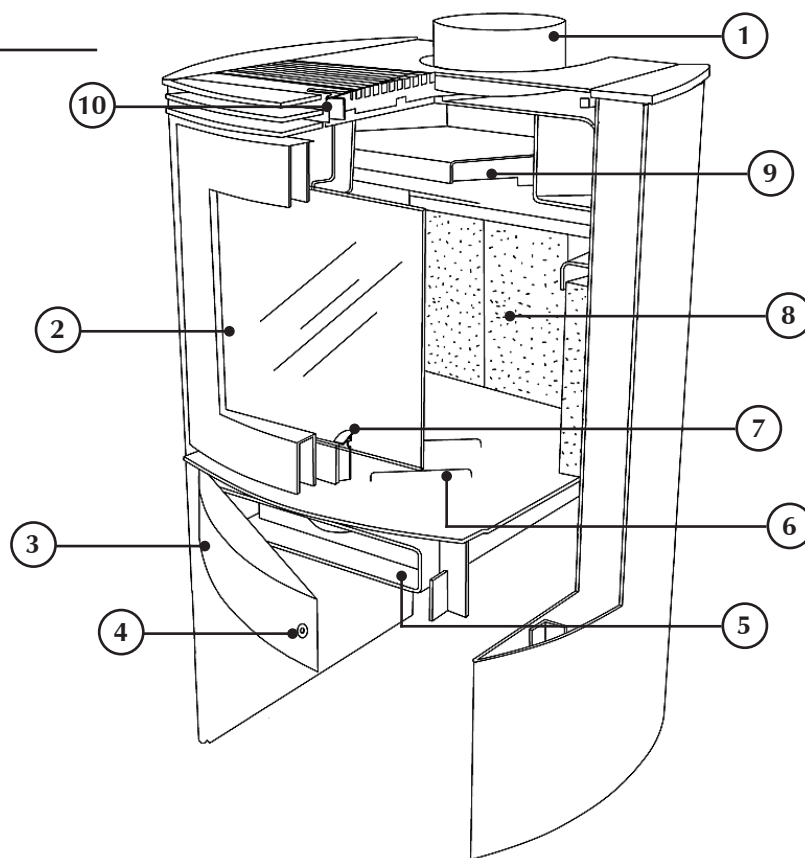
- 3.1 Before lighting the Bosca stove, check the following items:
  - a) Fit of internal parts (firegrate, firebricks, baffles, and fuel retainer).
  - b) Door alignment, seals and catch operation.
  - c) Operation of air controls.
- 3.2 If there are any problems with the fit or operation of any of these items, this should be corrected before continuing with the commissioning of the Bosca stove.
- 3.3 Carry out a final smoke draw test, by first warming the flue with a blowlamp, or similar, for about 10 minutes. Then place a smoke pellet on the centre of the grate, with the air controls open, and close the door. Smoke should now be drawn up the flue and be seen to exit from the flue terminal. This test should be completed with all doors and windows in the room where the appliance is fitted closed. Should this test fail, the suitability of the flue system and ventilation should be re-checked.
- 3.4 Light the appliance and gently allow the temperature to increase slowly to operating levels. Check that no combustion products are entering the room. When the appliance has reached a steady operating condition open the main fire door and carry out a spillage test with a smoke match or pellet around the door opening.
- 3.5 If excessive spillage does occur, allow the appliance to cool and re-check the suitability of the flue system and ventilation.
- 3.6 Explain the safe operation of the appliance and the use of the controls to the user, along with the need to only use suitable fuels. Also explain the cleaning and routine maintenance requirements.
- 3.7 Explain the requirements to use a suitable fireguard when children, elderly or infirm persons may be near the appliance.
- 3.8 **Record Retailer/supplier details and installer details in user instructions on page 4.**
- 3.9 **Record serial number on page 4 of this instruction booklet.** This number will be required when ordering spare parts and making warranty claims.
- 3.10 **Give these instructions to the customer.**



# OPERATING INSTRUCTIONS

## APPLIANCE FEATURES

1. Flue Collar
2. Door Glass
3. Ashpan Door
4. Ashpan Door Catch
5. Ashpan
6. Air Inlet through firebox base
7. Air Intake
8. Firebricks
9. Removable Baffle
10. Primary Air Control

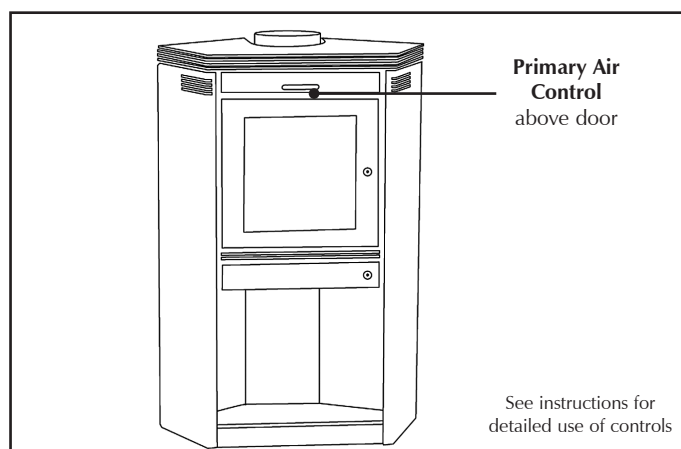


## 1. GENERAL

- 1.1 This appliance is designed for domestic heating and should only be used for this purpose, and in accordance with the manufacturer's operating instructions.
- 1.2 It should be installed by a competent installer (HETAS registered GB only), in accordance with all local regulations, including those referring to national and European standards.
- 1.3 The appliance should only be used to burn approved fuels and should not be used with liquid fuels or used as an incinerator.
- 1.4 As with all heating stoves, the surfaces will become very hot when in use, therefore due care should be taken when near the stove. If it is to be used in the presence of young children, elderly or infirm persons a suitable fireguard should be used. Care should also be taken with the placement of combustible items near the appliance as conducted and radiated heat could cause a fire hazard. Stovax offer a wide range of firescreens and sparkguards, along with a hearthgate system designed to offer full protection for a range of stoves and fireplaces. Your Retailer can advise you on these products.
- 1.5 The additional ventilation required for the safe use of this appliance should be kept free of any obstructions, both inside and outside the building, at all times.
- 1.6 Have your Bosca product serviced annually by a competent service engineer, and if repairs are required use only approved spare parts.
- 1.7 Do not make unauthorised modifications or changes to the stove.
- 1.8 Do not place photographs, TV's, paintings, porcelain or other combustible items on the wall or near the appliance. Exposure to hot temperatures will cause damage.
- 1.9 Do not place furniture or other items such as drying clothing closer than 1m from the front of this appliance.
- 1.10 Extractor fans or cooker hoods must not be placed in the same room or space as this can cause appliance to emit fumes into the room.
- 1.11 Do not obstruct inside or outside ventilation required for the safe use of this appliance.
- 1.12 The chimney must be swept at least once a year.
- 1.13 **Do not connect, or share, the same flue or chimney system with another appliance.**
- 1.14 **SERIAL NUMBER:** This number will be required when ordering spare parts or making warranty claims.

# OPERATING INSTRUCTIONS

## 1.13 AIR CONTROLS (typical layout)



### WARNING

Properly installed, operated and maintained this appliance will not emit fumes into the room.

Occasional fumes from de-ashing and refuelling may occur.

**Persistent fume emission is potentially dangerous and must not be tolerated.**

If fume emission does persist:

- Open doors and windows to ventilate the room.
- Leave the room.
- Allow fire to burn out or safely dispose of fuel from the appliance.
- Check for chimney blockage and clean if required.

Do not attempt to relight until the cause of the emission has been identified and corrected  
If necessary seek expert advice.

**All open flued appliances can be affected by temporary atmospheric conditions which may allow fumes to enter the house. Because of this it is recommended that an electronic carbon monoxide detector conforming to BSEN50291 be fitted and maintained.**

## 2. USING THE APPLIANCE FOR THE FIRST TIME

- 2.1 To allow the appliance to settle and fixing glues and paint to fully cure operate the appliance at a low output for first few days.
- 2.2 **Do not touch the paint during the first period of use.**
- 2.3 During this time the appliance may give off some unpleasant odours. Keep the room well ventilated to avoid a build-up of fumes

## 3. RECOMMENDED FUELS

- 3.1 Burn only seasoned timber with a moisture content of less than 20%. To ensure this allow cut wood to dry for 12 to 18 months.

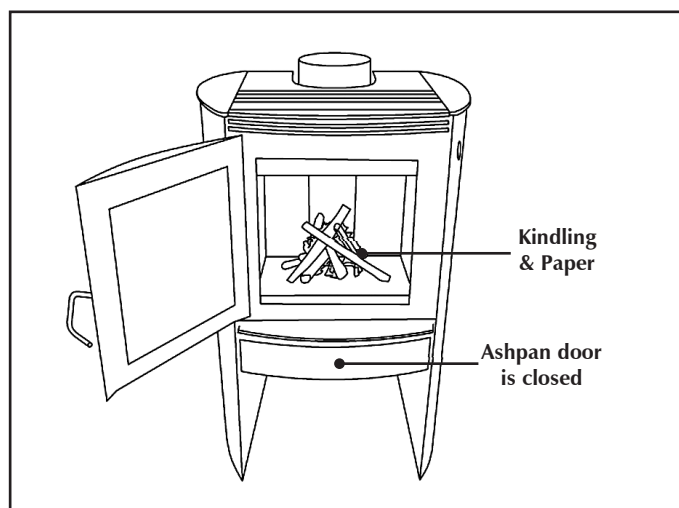
Poor quality timber:

- Causes low combustion efficiency.
- Produces harmful condensation.
- Reduces effectiveness of the airwash and life of the appliance.

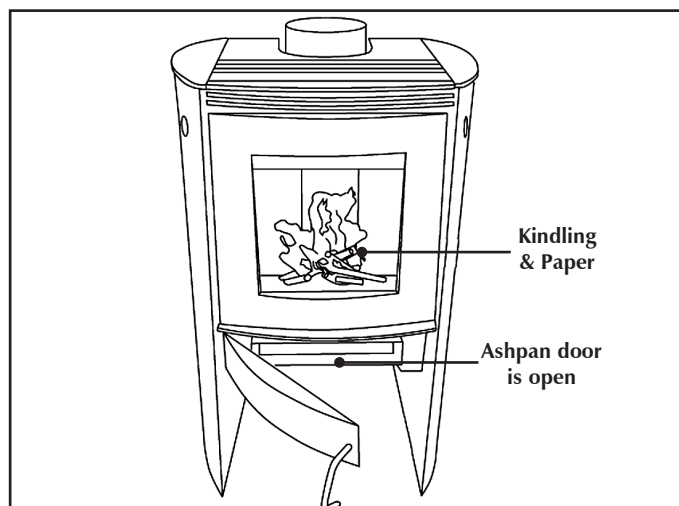
**Do not burn construction timber, painted, impregnated / treated wood, manufactured board products or pallet wood.**

## 4. RUNNING THE STOVE

- 4.1 Set the Primary Air control above the door to maximum.
- 4.2 Place some pieces of firelighter or dry crumpled paper on the grate and cover with some small pieces of dry kindling wood.

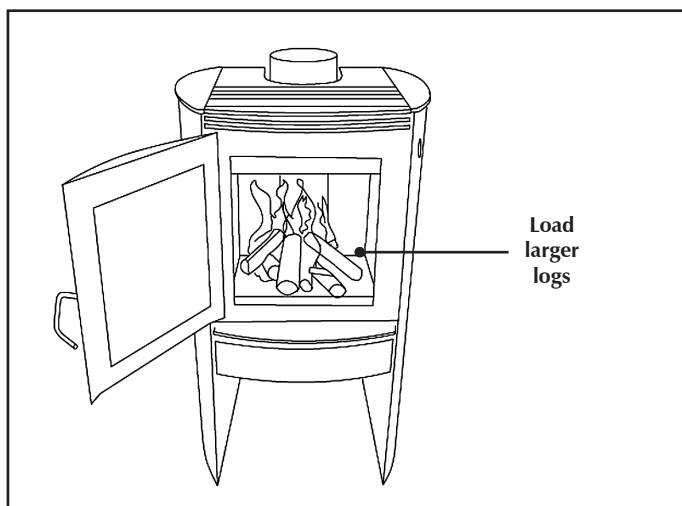


- 4.3 Light the paper or firelighters and close the upper door of the appliance.
- 4.4 Open the Ashpan door for approximately 3 minutes or until the kindling is lit.

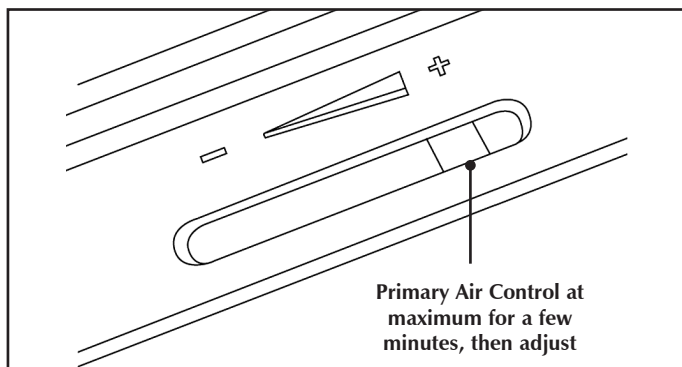


# OPERATING INSTRUCTIONS

- 4.5 Open the upper door to load larger pieces of firewood, placing the smaller logs on the lit kindling. Allow space between the stacked logs for the air to circulate. Logs stacked too tightly together will starve the fire of oxygen.



- 4.6 Close the door and open the Ashpan door again to increase the airflow into the appliance. Leave the Ashpan door open for a period of five minutes or until the logs are lit.
- 4.7 Finally close the lower door and adjust the Primary Air control to regulate the heat output.

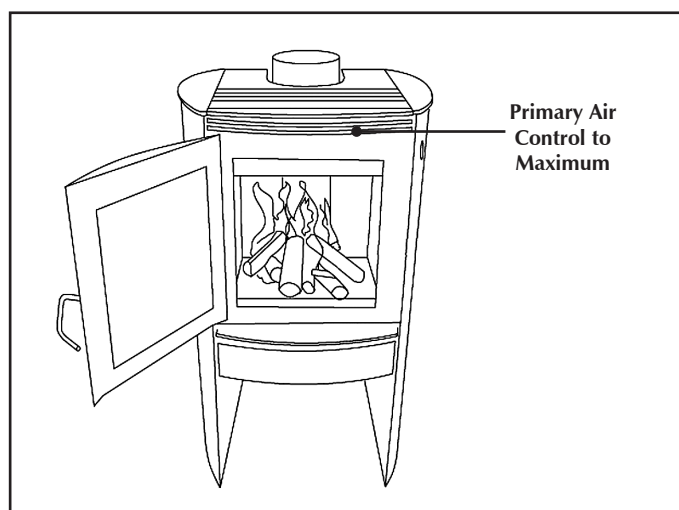


- 4.8 The ideal control settings to suit the particular installation and personal preferences will be established by experience in using the stove.
- 4.9 To burn wood efficiently it is best to allow a bed of ash to build-up on the grate, or the base of the stove, and control the combustion using the Primary Air control only.
- 4.10 It is not recommended to load large amounts of logs and burn with the Primary Air control on low settings for long periods of time as this will reduce the effectiveness of the glass cleaning effect of the Primary Air. Also this will cause large a build-up of tars and creosotes in the appliance and flue system.
- 4.11 We would recommend that the appliance be burnt at high output for at least 30 minutes each day when it is in use. This will help reduce the build-up of tars and creosotes within the appliance and flue system.

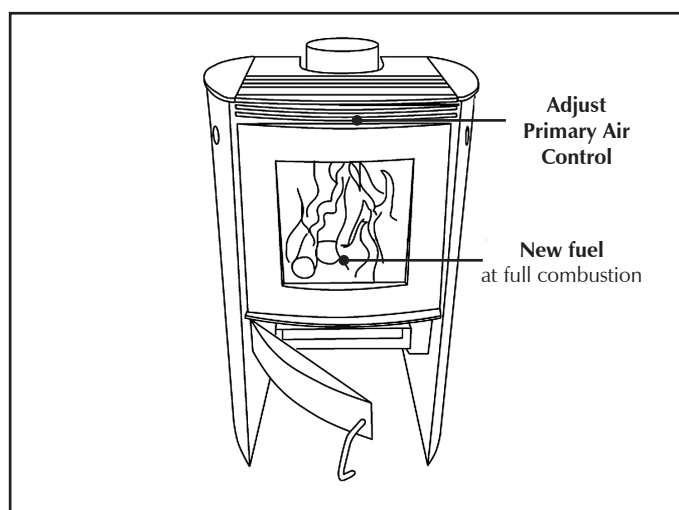
- 4.12 **Do not burn painted or impregnated wood, manufactured board products, pallet wood or scrap timber.**

## 5. REFUELLING

- 5.1 Adjust the Primary Air Control to maximum and open the upper door.
- 5.2 Before re-fuelling the appliance it is advisable to first rake the embers evenly over the firebed.



- 5.3 Place the new logs on the embers. Remember not to stack them too tightly together and suffocate the fire and close the door.
- 5.4 Open the Ashpan door for approximately 3 minutes until the logs are lit.



- 5.5 Finally close the Ashpan door and adjust the burn rate using the Primary Air control.

# OPERATING INSTRUCTIONS

## 6. BURNING WOOD

### 6.1 Fuel Quality (Wood)

Use wood with a moisture content of less than 20%. Seasoned logs have the bark beginning to lift and peel away and cracks radiating from the centre. They feel lighter than fresh cut wood of a similar size and sound hollow when struck against each other. Logs should not feel damp or have moss or fungal growths.

Symptoms related to wet wood:

- Difficulty starting and keeping a fire burning well.
- Smoke and small flames.
- Dirty glass and/or Firebricks.
- Rapid creosote build-up in the chimney.
- Low heat output.
- Short burn times, excessive fuel consumption and blue/grey smoke from the chimney.

Burn at a high temperature for a short period each day to avoid large build-ups of tars and creosotes within the appliance and the flue system.

Use Stovax Protector chimney cleaner to reduce this problem.

### 6.2 Air inlets puffing smoke

Combustion gases can build up in the firebox and ignite as small explosions, causing smoke to puff out of the air inlets and other openings. This occurs if the air controls are shut soon after adding new fuel to a very hot fire. Stop by opening the air controls to increase combustion air and burning rate.

### 6.3 Flue Draught

The chimney has two main functions:

- 1) To safely remove the smoke, gases and fumes from the house.
- 2) To provide a sufficient amount of draught (suction) in the appliance ensuring the fire keeps burning.

Draught is caused by the rising hot air in the chimney when the appliance is lit.

Symptoms of poor performance related to flue draught include:

- Excessive fuel consumption (high flue draught).
- Poor burning control and/or overheating (high flue draught).
- Wind noise from air controls (high flue draught).
- Difficulty getting a fire going and keeping it burning well (low flue draught).
- Low heat output (low flue draught).
- Smoke entering room when doors are opened (low flue draught).

The construction, position, size and height of the chimney all affect the performance of the flue draught.

Other factors effecting the flue draught include:

- Nearby trees or buildings causing turbulence.
- Outside temperature.
- Outside weather conditions.
- Incorrect additional ventilation to building.
- Blocked flue or chimney.

For advice on the correction of persistent flue problems consult a qualified heating engineer before continuing to use the appliance.

### 6.5 Weather conditions

The weather conditions outside the building can effect the burning performance of the appliance. These could include:

Weather Conditions	Problem	Effect
Windy days	Buildings/obstacles cause turbulent air around chimney	Smoky appliance
Calm days	Oversized chimney	Smoky appliance
Damp / Rainy days	Flue temperature not hot enough / rain water inside chimney	Lighting and burning problems

To reduce these problems:

- Use good quality kindling wood to start the fire.
- Burn initially at a high temperature for a short period.
- Fit a rain cowl to the chimney.

Your installer should advise you on possible solutions.

If the appliance emits smoke into the room continuously:

- Close the air controls and allow the appliance to go out.
- Ventilate the room to clear the fumes.

**Do not re-light the appliance until the problem is solved.**

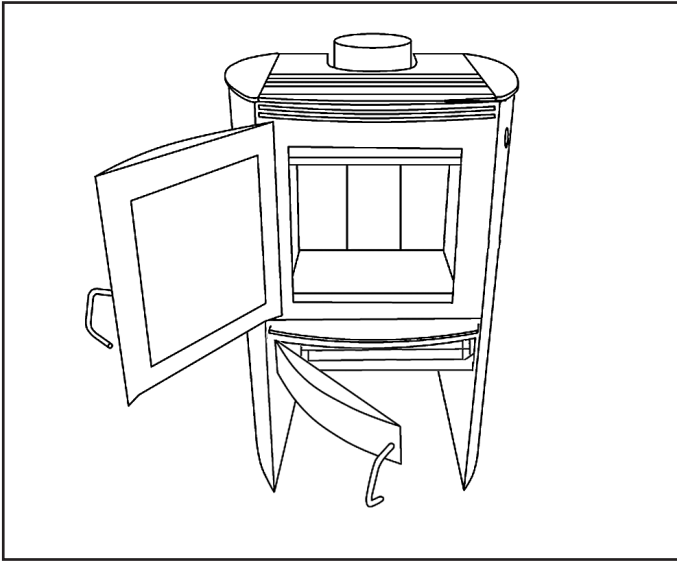
# OPERATING INSTRUCTIONS

## 6. ASH REMOVAL

Do not allow ash to build up as it may cause damage and adversely effect the performance of the appliance.

**Warning: Ash can remain hot long after appliance has been in use.**

### 6.1 Open Doors.



Leave a layer of ash to start the new fire on. Wood burns best on a bed of ash (approx. 1" deep).

Remove ash with a small shovel and place into a Stovax Ash Caddy (Stovax Part No. 4227) or other suitable container.

Do not place hot ash in any container made from plastic or any other combustible material.

De-ash at least once a week.

## 7. OVER FIRING

7.1 Do not over-fill with fuel or run at high temperatures for long periods or over-firing can occur. If the flue pipe, flue collar or top plate glow red the appliance is over-firing. Close the air controls to reduce the temperature.

7.2 **Over-firing can cause permanent damage to the appliance.**

## 8. CHIMNEY FIRE

8.1 **If a chimney fire occurs:**

- Shut all air controls immediately.
- Evacuate the building.
- Call the fire brigade.

— Do not re-enter the building until it is confirmed safe.

8.2 **Do not use the appliance after a chimney fire until:**

- a) **It has been inspected by a registered installer\*, confirming the appliance is safe to use.**
- b) The chimney system has been inspected and swept by a chimney sweep, confirming the system is structurally sound and free from obstruction\*\*.
- c) **It is repaired as required before re-use.** Use only genuine Bosca replacement parts to keep your appliance in safe, efficient working order.

## 9. GENERAL CLEANING

9.1 Clean and inspect the appliance regularly, especially in periods of heavy use. Regular cleaning and maintenance will help give many years of safe use.

**Allow appliance to cool thoroughly to avoid risk of burns.**

Clean regularly, according to level of use.

Remove the ash completely (see *User Instructions, Section 7*).

Check the internal components for damage (grates, bricks, baffles and log guard). Do not use the appliance if any parts are broken or damaged. Replace damaged parts with genuine Stovax replacement parts to keep the appliance in safe, efficient working order.

Check for obvious build up of soot, ash or debris above the flue baffle(s) (these can be found in the upper part of the firebox). Use a torch if necessary.

If there are any signs of a build up of debris above the flue baffle(s) either:

— Arrange for the chimney to be swept

— Remove the baffles and clear the debris (see *Installation Instructions, Section 2*).

Wipe dry with a soft clean cloth before relighting. Always dry appliance to avoid rust.

**Do not use abrasive cleaner or cleaning pads.**

Check that the door shuts properly and creates an effective seal. Leaking door seals prevent the appliance working properly.

**Do not use aerosol sprays near an operating appliance.**

# OPERATING INSTRUCTIONS

## 10. CLEANING GLASS

---

Keep the glass clean with correct use of the Air Control system and good quality fuel.

10.1 Sometimes additional cleaning may be required.

This can be done as follows:

- Allow appliance to cool fully. **Do not clean hot glass.**
- Use a soft cloth and Stovax Glass Cleaner.

10.2 Before re-lighting the appliance dry the glass fully.

10.3 **Do not use abrasive cleaner or cleaning pads.**

## 11. CHIMNEY SWEEPING

---

11.1 To maintain safe and efficient use of the appliance, the chimney/flue must be inspected and swept at least once a year by a qualified chimney sweep.

If the appliance is used continuously throughout the year, or it is used to burn wood. More frequent sweeping is recommended.

The best time to have the chimney swept is at the start of the heating season.

11.2 The chimney, any connecting flue pipe and the appliance flue ways, if incorporated, must be regularly cleaned.

11.3 Ensure adequate access for cleaning where it is not possible to sweep through the chimney.

11.4 If the chimney is believed to have previously served an open fire it must be swept a second time within a month of regular use after installation.

## 12. CARE OF STOVE

---

Stovax has a range of cleaning and maintenance products and accessories to keep your appliance in good working order. Your Stovax retailer can advise you on suitable items for your stove and provide genuine spare parts such as replacement glass, door sealing rope and firebricks. View the extensive range at [www.stovax.com](http://www.stovax.com) by clicking on *Accessories*. In addition, an annual service by a competent engineer is recommended to keep your stove in the best possible condition.



## 13. SEASONAL USE

---

13.1 Clean and service the appliance if it is not used during the warmer periods of the year, as detailed in the *Maintenance and Servicing* section.

13.2 Set the air control to 50% to keep the appliance ventilated and stop the build-up of any moisture inside.

13.3 Before re-lighting the appliance:

- Remove the baffle(s).
- Clear any debris that may have accumulated.
- Check the flue is clear of any blockages.

## 14. TROUBLESHOOTING

---

14.1 **Appliance glass blackening**  
This has four possible causes:

1. **Incorrect use of Air Control**  
See *Instructions, Sections 1, 4 and 5* for the correct use of the air controls.
2. **Burning unseasoned wood**  
See *Instructions, Section 3* to identify when wood is ready for burning.
3. **Appliance operated at too low a temperature**  
An appliance pipe thermometer can identify this problem (Stovax part no 3046). **The ideal working temperature range** is 130°C - 250°C (270°F - 480°F). Failing to close down the Primary Air Control once the appliance has heated up to this range may cause the appliance to exceed



# OPERATING INSTRUCTIONS

the ideal temperature range and to over-fire. Over-firing can cause permanent damage to the appliance and invalidates your warranty. Burn with the Air Control fully open for approximately 20 minutes to cure this.

The problem may be caused by damping down the appliance during periods of extended burning.

4. **Problems with the flue**, in particular insufficient air pull. If the flue is not working efficiently the glass can blacken. A flue which has too much downdraft may be too short, needs lining, or has too many bends. This can also cause blackening of the appliance glass. Contact the installer or a flue specialist for advice.

#### 14.2 Glass cracking

Do not over tighten the screws on the glass clips when replacing the glass. This causes stress and the intense temperature changes can cause the glass to crack. For replacement glass contact your local Bosca Retailer.

#### 14.3 Appliance is producing tar

This can be identified by:

— A very strong pungent smell shortly after the appliance is lit and heats up.

— Glass blackening.

— Thick, brown, sticky tar oozing from the pipe joints.

This is caused by burning damp wood and running the appliance at too low a temperature.

Use well seasoned wood and operate the appliance within the ideal temperature range.

**Tar is a major cause of chimney fires.** If the appliance experiences problems with tar build up consult a chimney sweep before continued use of the appliance.

- 14.6 **In the unlikely event of a problem that cannot be solved by these tips contact your installer or Retailer for help.**

# MAINTENANCE & SERVICING

## 1. ANNUAL SERVICE

- 1.1 Before the start of the heating season strip, inspect and clean the appliance as detailed:
- Allow appliance to cool.
  - Remove all internal parts.
  - Sweep the appliance at this point if necessary.
  - Vacuum clean any remaining ash and debris from the inside of the appliance. Stovax offer a filter/collection attachment for vacuum cleaners to protect them from fire ash: Ash Clean (Stovax Part No. 2091).
  - Clean the internal surfaces of the appliance using a wire brush and scraper as required. Vacuum and brush the resulting debris from the appliance.
  - Clean the grate parts with a wire brush, and check the parts for any damage. Replace any damaged parts using genuine Stovax replacements parts (see below for details).
  - Check and clean the firebricks with a soft brush. Some surface damage will occur during use. The life of the bricks will depend on the type of fuels burnt and the level of use. Replace damaged bricks as soon as possible.
  - Re-fit cleaned internal parts.
  - Remove glass from door, discard all old rope seals and fit new.
  - Clean the door glass using Stovax Glass cleaner and a soft cloth.
- Do not use abrasive cleaners to remove tar or soot deposits from the glass.**
- Fit new door rope seal).
  - Lightly oil the door catch mechanism and hinge pins. Avoid getting oil onto the door seals and glass.

- 1.2 Use genuine Stovax replacement parts to keep the appliance in safe, efficient working order. This is a list of the maintenance products that may need be required:

Task	Product name	Stovax Code Number
Glass cleaning	Stove glass cleaner 500ml (wipe on)	4111
	Stove glass cleaner (spray on)	4103
Preventing build-up of creosote in flue	Protector (15 sachets)	7002
	Protector (1kg tub)	7025
Sealing flue pipe joints	Fire Cement (500g tub)	2020
	Fire Cement (600g cartridge)	2021
Cleaning matt black Appliances	Colloidal black (85ml)	7000
Protecting your hands	Heat resistant leather gloves	4008
Door sealing rope	14mm Black rope seal (handy pack)	5000
	14mm Black rope seal (25m reel)	4670
Glass sealing tape	3mm Black rope seal (handy pack)	4975
	3mm Black rope seal (25m reel)	4974
Thermic seal glue	(50ml bottle)	5037
Soft rope	10mm diameter	4965
Ash Clean	Vacuum Cleaner Attachment	2091

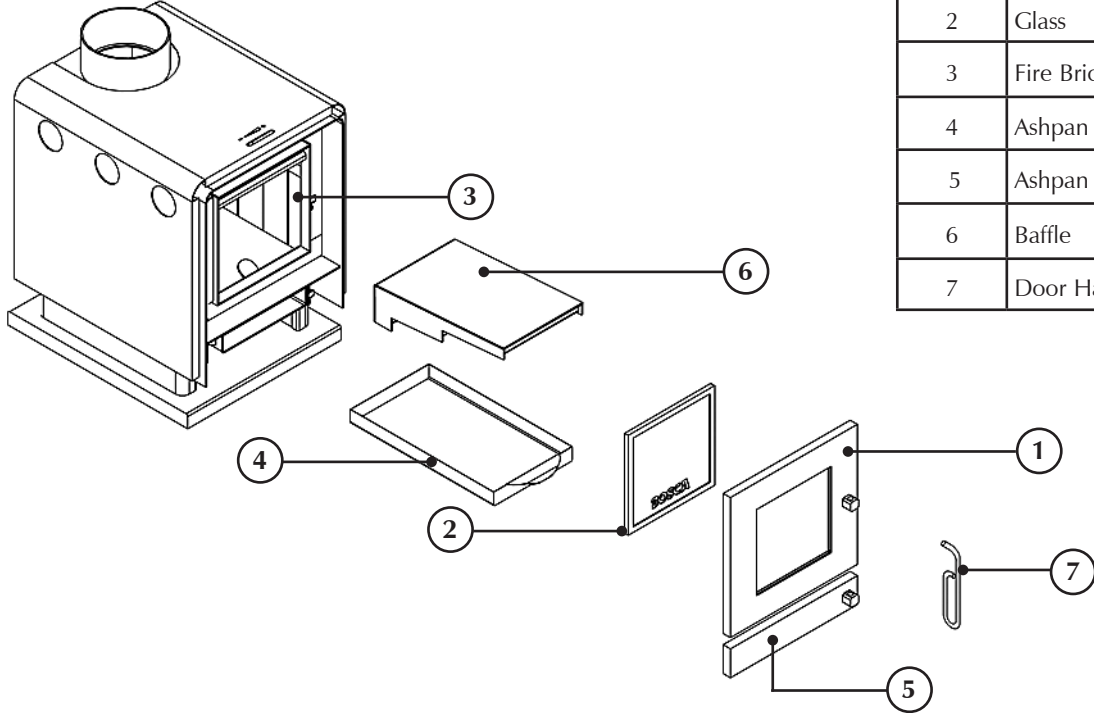
These products, available from your local Bosca Retailer, along with regular maintenance and use of correct fuels, will keep the appliance in the best possible condition.

- 1.3 For more information about the Stovax Group products please visit our web site at [www.stovax.com](http://www.stovax.com)
- 1.4 Burn at a low temperature for the first day of use after any maintenance. This allows the seals, fixing glues and paint to fully cure.
- 1.5 During this time the appliance may give off some unpleasant odours. Keep the room well ventilated to avoid a build-up of fumes.
- 1.6 Your Bosca Retailer can carry out service and maintenance.



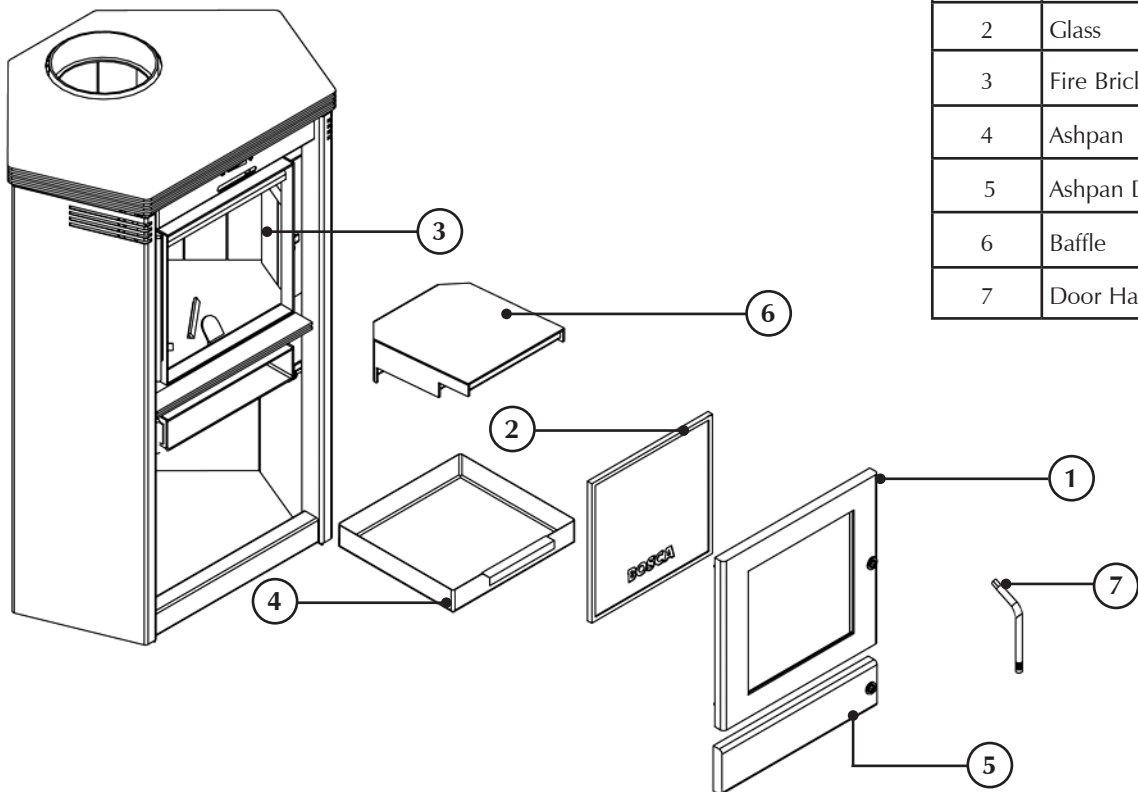
# BASIC SPARE PARTS

## LIMIT 350 (SHORT & STANDARD), 380



No.	Description
1	Door
2	Glass
3	Fire Bricks
4	Ashpan
5	Ashpan Door
6	Baffle
7	Door Handle

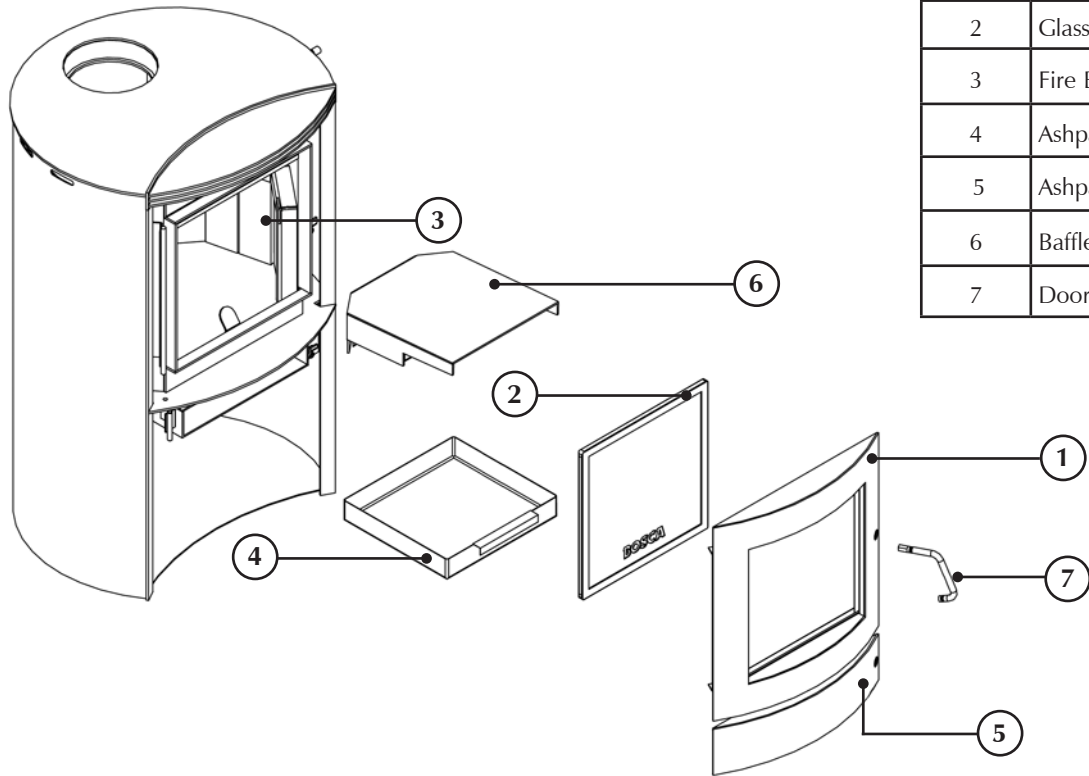
## ARESTA 360



No.	Description
1	Door
2	Glass
3	Fire Bricks
4	Ashpan
5	Ashpan Door
6	Baffle
7	Door Handle

# BASIC SPARE PARTS

FIREPOINT 360 & 400



No.	Description
1	Door
2	Glass
3	Fire Bricks
4	Ashpan
5	Ashpan Door
6	Baffle
7	Door Handle

# SERVICE RECORDS

## 1ST SERVICE

Date of Service:.....

Next Service Due:.....

Signed:.....

Retailer's Stamp/HETAS Registration Number

## 2ND SERVICE

Date of Service:.....

Next Service Due:.....

Signed:.....

Retailer's Stamp/HETAS Registration Number

## 3RD SERVICE

Date of Service:.....

Next Service Due:.....

Signed:.....

Retailer's Stamp/HETAS Registration Number

## 4TH SERVICE

Date of Service:.....

Next Service Due:.....

Signed:.....

Retailer's Stamp/HETAS Registration Number

## 5TH SERVICE

Date of Service:.....

Next Service Due:.....

Signed:.....

Retailer's Stamp/HETAS Registration Number

## 6TH SERVICE

Date of Service:.....

Next Service Due:.....

Signed:.....

Retailer's Stamp/HETAS Registration Number

## 7TH SERVICE

Date of Service:.....

Next Service Due:.....

Signed:.....

Retailer's Stamp/HETAS Registration Number

## 8TH SERVICE

Date of Service:.....

Next Due:.....

Signed:.....

Retailer's Stamp/HETAS Registration Number

## 9TH SERVICE

Date of Service:.....

Next Due:.....

Signed:.....

Retailer's Stamp/HETAS Registration Number

## 10TH SERVICE

Date of Service:.....

Next Service Due:.....

Signed:.....

Retailer's Stamp/HETAS Registration Number

**BOSCA<sup>®</sup>**

Falcon Road, Sowton Industrial Estate, Exeter, Devon, England EX2 7LF

Tel: (01392) 474500 Fax: (01392) 219932

E-mail: [Bosca@stovax.com](mailto:Bosca@stovax.com) [www.Bosca-stoves.co.uk](http://www.Bosca-stoves.co.uk)